

**TUBELED
Pharma 1150-08 8**
Art.-Nr. 156652
Datenblatt | Datasheet

Technische Daten:

IP 67

Schutzklasse III

Spannung: 24 VDC

Leistung: 28,1 W

Abmessung: 1.150 x 25 mm

Anschluss: M8x1 Stecker / Kupplung

 Dimmbar: PWM LED-Dimmer
 Material: LED Aluminiumprofil
 LED Cover PMMA opal weiß:
 Edelstahlverschlüsse
 Borosilikatglas

 Dichtungen: FKM / 80 Shore A
 Druckausgleich: Goretex, M12, VA

Montage: Edelstahl-Montagehalter

Gewicht: 920 g

Umgebungstemperatur: -30 bis +45°C [LED an]

Technical data:

IP 67

Protection class III

Voltage: 24 VDC

Power consumption: 28.1 W

Dimensions: 1,150 x 25 mm

Connection: M8x1 plug male / female

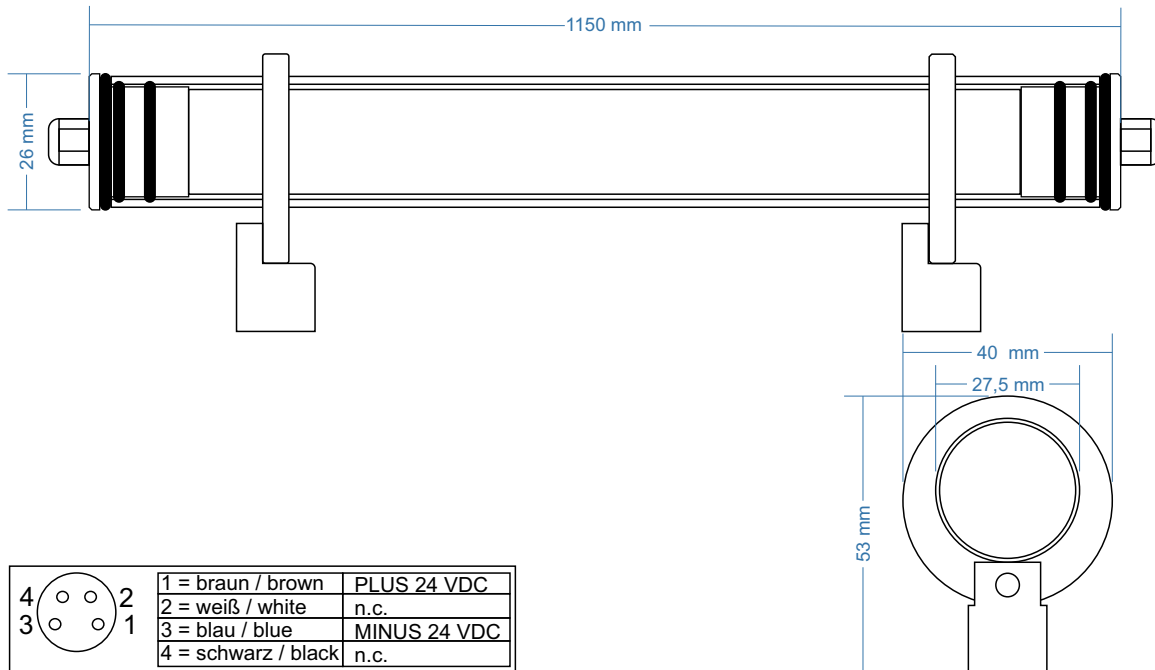
 Dimmable: PWM LED-Dimmer
 Material: LED aluminium profile
 LED cover PMMA opale white:
 Stainless steel caps
 Borosilicate glass

 Sealing: FKM / 80 Shore A
 Valve: Goretex, M12, VA

Installation: Mounting holders stainless steel

Weight: 920 g

Ambient temperature: -30 bis +45°C [LED on]

**TUBELED
Pharma 1150-08 8**
Art.-Nr. 156652
Datenblatt | Datasheet
Abmessungen und Zeichnungen | Dimensions and drawings


| | | | |
|---|---|---------------------|--------------|
| 4 | ○ | 1 = braun / brown | PLUS 24 VDC |
| 2 | ○ | 2 = weiß / white | n.c. |
| 3 | ○ | 3 = blau / blue | MINUS 24 VDC |
| 1 | ○ | 4 = schwarz / black | n.c. |

Farben und Werte | Colours and values

| Farbe Colour | Segmentlänge Segment length | Farbtemperatur Colour temperatur | Leistung Power consumption | Lumen Lumen |
|-----------------|--------------------------------|-------------------------------------|-------------------------------|----------------|
| Weiß White | 60 mm | 4000 K | 28,1 W | 3800 lm |

| Effizienzklasse efficiency class |
|-------------------------------------|
| A++ |
| A+ |
| A |
| B |

LED A++

